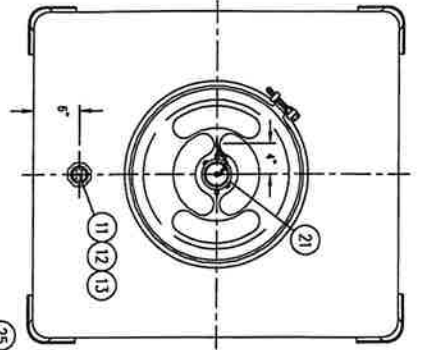
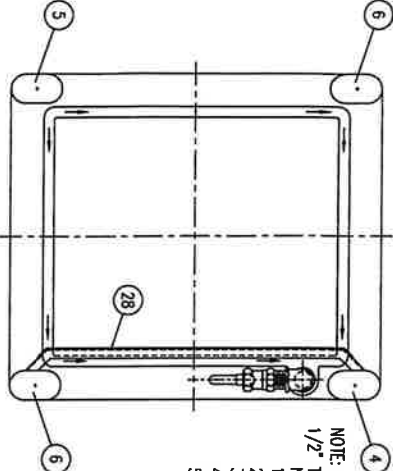
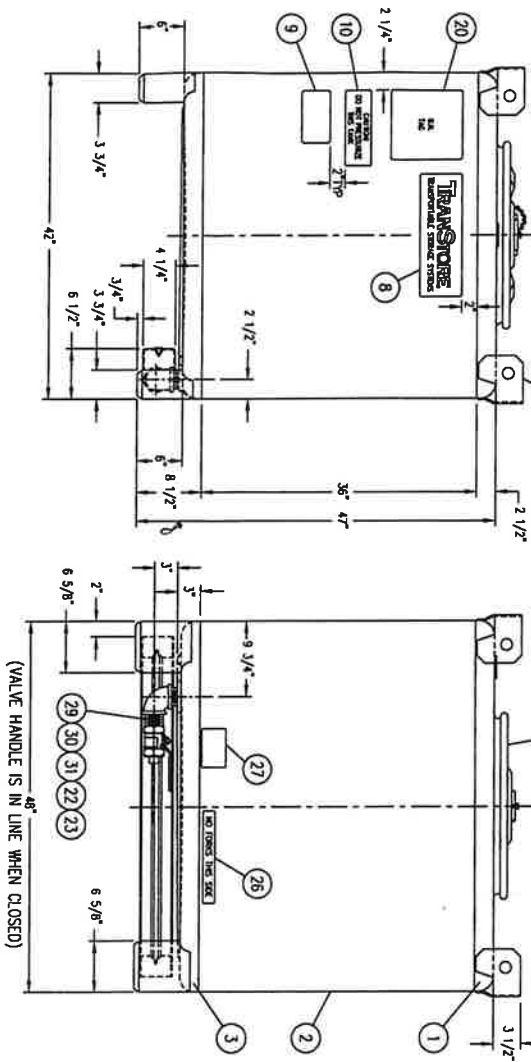


DETAIL ITEM #7
SCALE: NONE

DRUM NECK SECTION
SCALE: NONE



NOTE: IF APPLICABLE, PER TITLE 49CFR, BOTH THE 22 1/2" CLOSURE CLAMP RING BOLT, NUT AND THE 2" BUNG PLUG MUST BE TIGHTENED TO A TORQUE OF 30 FT.-LBS. TO SATISFY THE PERFORMANCE REQUIREMENTS.



NOTE: BOTTOM SWAMP SLOPES 1/2" TOWARDS OPENING

NOTES:
1. REMOVE ALL BURRS AND SHARP EDGES.
2. TANK FABRICATED W/2" RADIUS CORNERS AND HIGH CONTOUR LEGS.
3. MATERIAL OF CONSTRUCTION IS 304 S.S. AND NOTED.
4. INSIDE OF TANK TO BE WIPED CLEAN AT FINAL ASSY.
5. WARRANTY TAG TO BE WIRED TO CLAMP RING AT FINAL ASSY.

ITEM NO.	QUANTITY	PART NO.	DESCRIPTION
1	1	534847	TOP - 10 GA. - 304 S.S.
2	2	951009	SHELL - 10 GA. - 304 S.S.
3	1	534848	BOTTOM - 10 GA. - 304 S.S.
4	1	534864N	RIGHT LEG W/CAP - HIGH CONTOUR - 6" TALL - 304 S.S.
5	1	534864	RIGHT LEG W/CAP - HIGH CONTOUR - 6" TALL - 304 S.S.
6	2	534865	LEFT LEG W/CAP - HIGH CONTOUR - 6" TALL - 304 S.S.
7	1	540908	WARRANTY TAG - ORANGE CARDBOARD.
8	1	540069	DECAL - "TRANSTORE".
9	1	541251	DECAL - "THIS TANK MUST BE VENTED PRIOR TO DISCHARGE".
10	1	540009	DECAL - "CAUTION: DO NOT PRESSURIZE THIS TANK".
11	1	535236	WELD FLANGE - 2" SIZE - 304 S.S.
12	1	542997	PLUG W/CROSSBAR - 2" SIZE - 304 S.S.
13	1	541100	GASKET - 2" SIZE - EPT.
14	1	520419	DRUM COVER W/EWBROWS - 22 1/2" DIA. NOM. W/ 3" NIPPLE. WIRE SEAL. LUG - 304 S.S.
15	1	545108	EPDM MULTI-SEAL GASKET.
16	1	534487	CLAMP RING - PLATED STEEL.
17	1	540071	BOLT - 5/8" NC X 5" LG. - PLATED STEEL.
18	1	540072	NUT - 5/8" NC - PLATED STEEL.
19	1	530946	DRUM NECK - 22 1/2" DIA. NOM. X 7/16" DIA. - 304 S.S.
20	1	557784	U.N. TAG - 304 S.S.
21	1	540013	FUSIBLE CAP - 3" NPS - 316 S.S. W/TETLON GASKET/LANYARD & COMP. SLEEVE
22	1	541850	VALVE BALL 2" NPT W/OFFSET HANDLE & LOCK - 316 S.S. W/TETLON SEALS
23	1	540063	SHIPPING SEAL - 2" NPT SQUARE HEAD - PVC.
24	-	-	OMIT
25	4	534843	LIFTING LUG W/LARGE RADIUS CORNER - 1/4 THK - 304 S.S.
26	1	540001	DECAL - "NO FORKS THIS SIDE".
27	1	540029	DECAL - "OPEN CLOSED" - FOR VALVE.
28	1	534547	VALVE GUARD - 10 GA. - 304 S.S.
29	1	530196	NIPPLE - 2" NPT X 1 1/2" LG. (TOP) - 304 S.S.
30	1	540066	ELBOW - 2" NPT X 90 DEG. - 304 S.S.
31	1	540068	NIPPLE - 2" NPT X 3" LG. (BET) - 304 S.S.

2722
 Kg MAX
 512074.1350 GAL. 6000 LBS. NET WT.
 AT ASSY.
 7674 2722 1324 M. ASSY.
 304 S.S.
 2.34 0 M. ASSY.
 512074.1350 GAL. 6000 LBS. NET WT.
 AT ASSY.

INTERIOR: 28
 EXTERIOR: 28
 WELD FINISHES: STANDARD CLEAN
 STANDARD CLEAN
 TITLE: 350 GALLON TANK - 304 S.S.
 CUSTOMER: [Blank]
 JOB: [Blank]
 NO. REC'D: [Blank] WORK ORDER NO. [Blank] PURCHASE ORDER NO. [Blank]
 DRAWN BY: R.K.L. DATE DRAWN: 9/22/00 APPROVED BY: [Blank] DATE APPROVED: [Blank]
 DRAWING NO.: 512074 REVISION LEVEL: C

REVISION	REASON	DATE	SCALE	FILE NUMBER	DESCRIPTION OF CHANGE
G	R.K.L.	9-8-10	1" = 12"	ACADR14	UPDATED U.N. TAG
F	D.LONG	12-20-05	1" = 12"		UPDATED TO CURRENT STANDARDS
	REVISION SYMBOL	DATE	SCALE	FILE NUMBER	DESCRIPTION OF CHANGE